

# INNOVA L

## Divert Single Seat Valve



### APPLICATION

The L type valve is a pneumatic divert single seat valve with diverging flow designed for hygienic applications. The plug is specifically designed to manage diverging flows, given that it closes against the direction of flow (inlet via the central body and outlet via the upper or lower bodies).

### DESIGN AND FEATURES

As standard, the lower body is the closure section, whilst the upper body is for diversion. Simply invert the actuator for upper body closure with diversion to the lower body. Easy to maintain with access to the internal parts by loosening the body clamp. Open lantern allows visual inspection of the shaft sealing. 360° adjustable bodies.

### TECHNICAL SPECIFICATIONS

#### Materials

Parts in contact with the product	1.4404 (AISI 316L)
Other stainless steel parts	1.4301 (AISI 304)
Gasket in contact with the product	EPDM

#### Surface finish

Internal	Polished $Ra \leq 0,8 \mu m$
External	Matt

#### Available sizes

DIN EN 10357 series A <small>(previously DIN 11850 series 2)</small>	DN 25 - DN 100
ASTM A269/270 <small>(corresponds to OD pipe)</small>	OD 1" - OD 4"

#### Connections

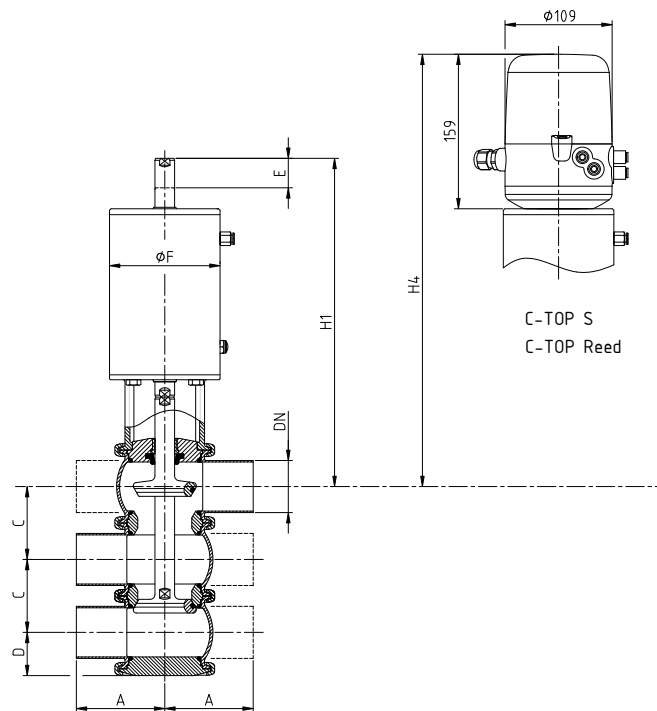
Weld

**Operating limits**

Maximum working temperature	120°C	248°F
Temperature SIP	140°C (max. 30 min)	284°F
Maximum working pressure	1000 kPa (10 bar)	145 PSI
Minimum working pressure	Vacuum	Vacuum
Compressed air pressure	6 - 8 bar	87 - 116 PSI

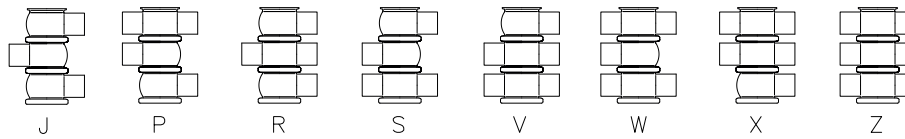
**OPTIONS**

Double-acting pneumatic actuator.  
 Gaskets: FPM, HNBR.  
 Other connection types.  
 Control unit.  
 External position sensors.  
 Steam barrier.  
 Bodies with heating jacket.  
 Internal surface finish: Ra < 0,5 µm.

**DIMENSIONS**

	DN	Pipe	A	C	D	E	ØF	H1	H4	kg
DIN	25	29,0 x 1,50	50	50	32	13	87	251	376	6,0
	40	41,0 x 1,50	85	62	38	15	87	256	386	8,0
	50	53,0 x 1,50	90	74	44	23	112	325	442	12
	65	70,0 x 2,00	110	92	53	24	143	372	494	20
	80	85,0 x 2,00	125	107	60	19	143	374	501	24
	100	104 x 2,00	150	127	70	26	216	408	525	42
OD	1"	25,4 x 1,65	50	46	30	8	87	249	378	6,0
	1½"	38,1 x 1,65	85	59	36	18	87	261	388	8,0
	2"	50,8 x 1,65	90	72	43	25	112	329	443	12
	2½"	63,5 x 1,65	110	86	50	30	143	380	497	20
	3"	76,2 x 1,65	125	99	56	27	143	386	505	23
	4"	101,6 x 2,11	150	124	69	28	216	412	526	42

## HOUSING COMBINATIONS



10.241.32.0057

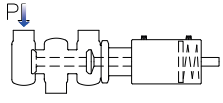
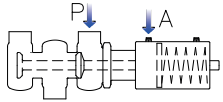
## MAXIMUM PRESSURES

Maximum pressure in bar / PSI without leakage at the valve seat

Actuator/valve body combination and direction of pressure	Air pressure [bar] / [PSI]	Plug position	DN 25	DN 40	DN 50	DN 65	DN 80	DN 100
			OD 1"	OD 1½"	OD 2"	OD 2½"	OD 3"	OD 4"
			[bar] / [PSI]					
	-	NC	10 / 145	6 / 87	6,1 / 89	6,3 / 91	5,3 / 77	5,6 / 81
	6 / 87	NC	10 / 145	8,2 / 119	5,6 / 81	5,9 / 85	5,2 / 76	10 / 145
	-	NO	10 / 145	5,7 / 82	5,1 / 74	5,1 / 74	4,4 / 64	4,7 / 68
	6 / 87	NO	10 / 145	7,4 / 107	4,5 / 65	5,6 / 81	4,7 / 68	10 / 145
	6 / 87	A/A	10 / 145	10 / 145	10 / 145	10 / 145	10 / 145	10 / 145
	6 / 87	A/A	10 / 145	10 / 145	10 / 145	10 / 145	10 / 145	10 / 145

Maximum pressure in bar / PSI against which the valve can open

Actuator/valve body combination and direction of pressure	Air pressure [bar] / [PSI]	Plug position	DN 25	DN 40	DN 50	DN 65	DN 80	DN 100
			OD 1"	OD 1½"	OD 2"	OD 2½"	OD 3"	OD 4"
			[bar] / [PSI]					
	-	NC	10 / 145	9,1 / 132	9,7 / 141	8,4 / 121	7 / 102	10 / 145
	6 / 87	NC	10 / 145	10 / 145	10 / 145	8,3 / 121	7,1 / 102	5,4 / 78

Actuator/valve body combination and direction of pressure	Air pressure	Plug position	DN 25	DN 40	DN 50	DN 65	DN 80	DN 100
	[bar] / [PSI]		OD 1"	OD 1½"	OD 2"	OD 2½"	OD 3"	OD 4"
	-	NO	10 / 145	10 / 145	10 / 145	9 / 131	7,6 / 110	7,7 / 11
	6 / 87	NO	10 / 145	10 / 145	10 / 145	8,6 / 125	7,7 / 111	10 / 145

A ≡ air

P ≡ product pressure

NC ≡ normally closed valve

NO ≡ normally open valve

A/A ≡ double acting valve

Values for standard actuators

For other pressures, bigger actuators can be assembled